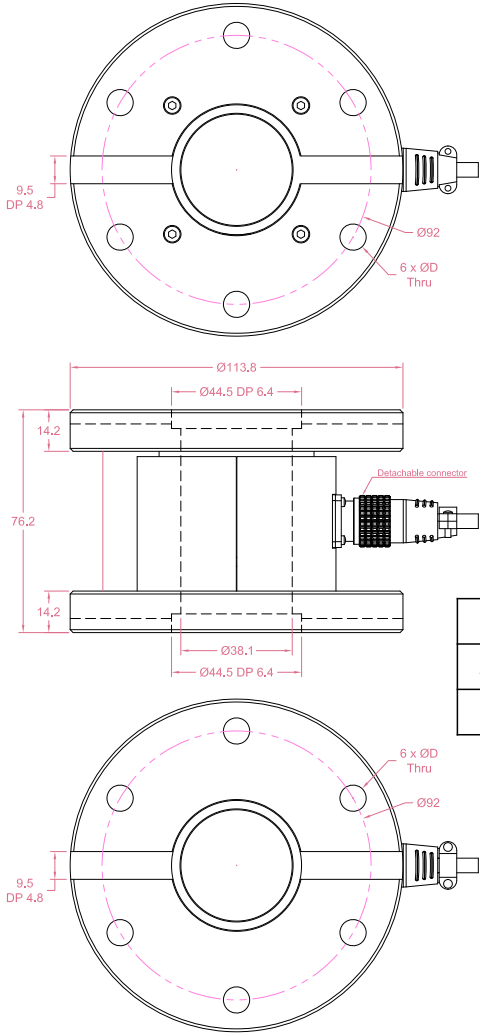




Dimensions in "mm"



Capacity	D
20~700Nm	9
1000Nm	11

Order example:

1 x TFF600 - 100Nm

Quantity      Model      Capacity

Email to [sales@loadcellsensor.com](mailto:sales@loadcellsensor.com) for a quote

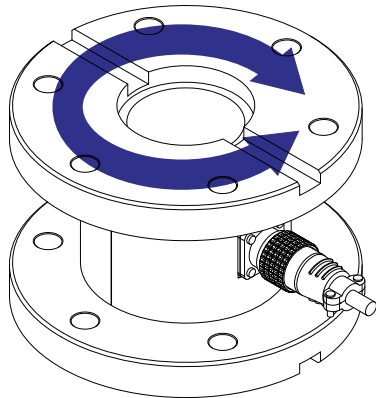
Specifications			
Rated Capacity	20/50/100/200/300/500/700/1000 Nm		
Rated Output	1.0 mV/V	Compensated Temp.	0...+40°C
Excitation	3~15V	Operating Temp.	-20...+60°C
Zero Balance	±0.05 mV/V	Temp. Coeff. of Zero	±0.02% F.S./°C
Nonlinearity	±0.2% F.S.	Temp. Coeff. of Span	±0.02% F.S./°C
Hysteresis	±0.2% F.S.	Input Resistance	700±100 Ohms
Nonrepeatability	±0.1% F.S.	Output Resistance	700±10 Ohms
Creep(5min)	±0.1% F.S.	Insulation Resistance	>2000M Ohms(50V)
Safe Load Limit	150% F.S.	IP Rating	IP50
Breaking Load	200% F.S.	Element Material	≤300Nm Aluminum alloy ≥500Nm Stainless steel
Cable	Ø5.8*3000mm 6-conductor shielded cable		

• LCS reserves the right to modify its design and specifications without notice

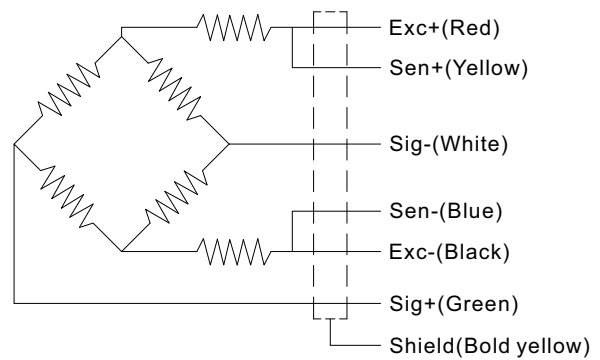




Load direction



Wiring Code@Clockwise



Shield is NOT connected to the sensor body

### Sensor/Amplifier/Indicator

Items	Power supply	Output/Function
TFF600	3-15V (Constant)	-15mV...+15mV (Depending on the power supply)
TFF600 + Analog amplifier	12~24V DC	0-3.3V,0-5V,0-10V,0-2.5-5V,0-5-10V -3.3-3.3V,-5-5V,-10-10V 0-20mA,4-20mA,4-12-20mA...
TFF600 + Digital amplifier	12~24V DC	RS485 or RS232 output
TFF600 + Indicator	12~24V DC	Display force value Switch output Peak holding RS485/RS232 interface 0-5V/0-10V/4-20mA output

[Email us for datasheet of amplifier and indicator](#)

### Customization options

Cable (Length/Specifications/Connectors)
Dimensions and measuring range

