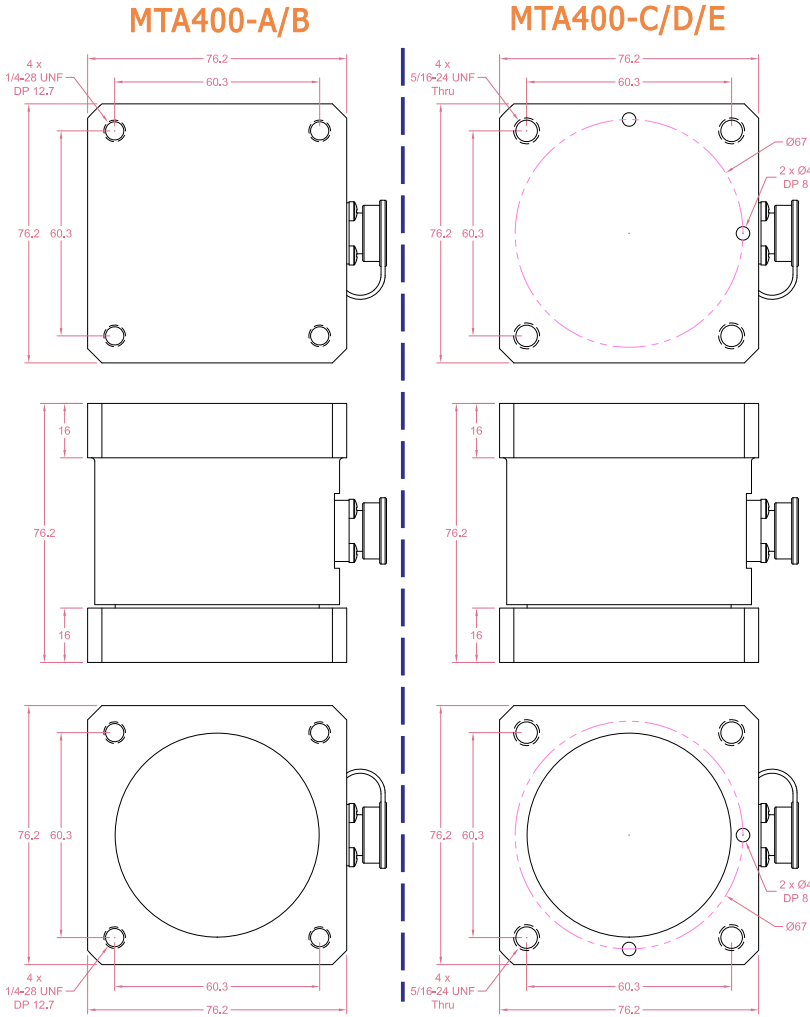




Dimensions in "mm"



Order example:

1 x MTA400-C

Quantity Ordering part No.

Email to sales@loadcellsensor.com for a quote

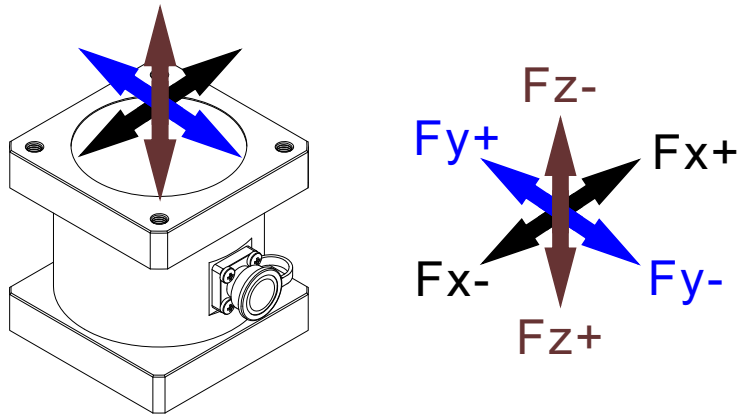
Specifications			
Rated Capacity	Refer to ordering part No.		
Rated Output	Fx/Fy: 1.8±0.2 mV/V Fz: 1.0±0.2 mV/V	Compensated Temp.	0...+40°C
Excitation	3~15V	Operating Temp.	-10...+60°C
Zero Balance	±0.05 mV/V	Temp. Coeff. of Zero	±0.02% F.S./°C
Nonlinearity	±0.3% F.S.	Temp. Coeff. of Span	±0.03% F.S./°C
Hysteresis	±0.3% F.S.	Input Resistance	158±10 Ohms
Nonrepeatability	±0.1% F.S.	Output Resistance	Fx/Fy: 350±30 Ohms Fz: 1400±50 Ohms
Creep(3min)	±0.1% F.S.	Insulation Resistance	>2000M Ohms(50V)
Safe Load Limit	150% F.S.	IP Rating	IP50
Breaking Load	200% F.S.	Element Material	Refer to ordering part No.
Cable	Ø5*3000mm 8-conductor shielded cable		

Ordering part No.: Model - Code				
Model	Code	Capacity		Material
		Fx=Fy	Fz	
MTA400	A	50kg	150kg	Aluminum
	B	100kg	300kg	
	C	200kg	500kg	Stainless steel
	D	300kg	800kg	
	E	400kg	1100kg	
Example: MTA400-C means: Fx capacity: 200kg Fy capacity: 200kg Fz capacity: 500kg Material: Stainless steel				

• LCS reserves the right to modify its design and specifications without notice

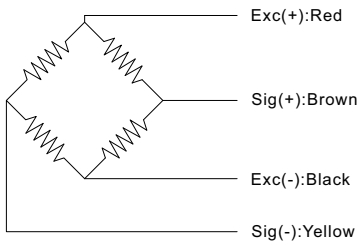


Load direction

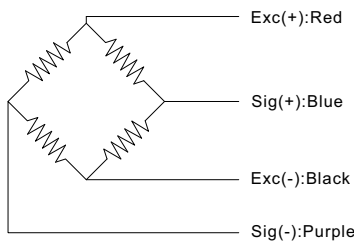


Wiring Code

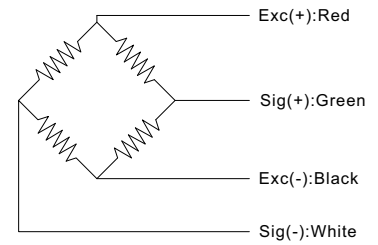
X-axis



Y-axis



Z-axis



Shield is NOT connected to the sensor body

Sensor/Amplifier/Indicator

Items	Power supply	Output/Function
MTA400	3-15V (Constant)	-30mV...+30mV (Depending on the power supply)
MTA400 + Analog amplifier	12~24V DC	0-3.3V,0-5V,0-10V,0-2.5-5V,0-5-10V -3.3-3.3V,-5-5V,-10-10V 0-20mA,4-20mA,4-12-20mA...
MTA400 + Digital amplifier	12~24V DC	RS485 or RS232 output

[Email us for datasheet of amplifiers](#)