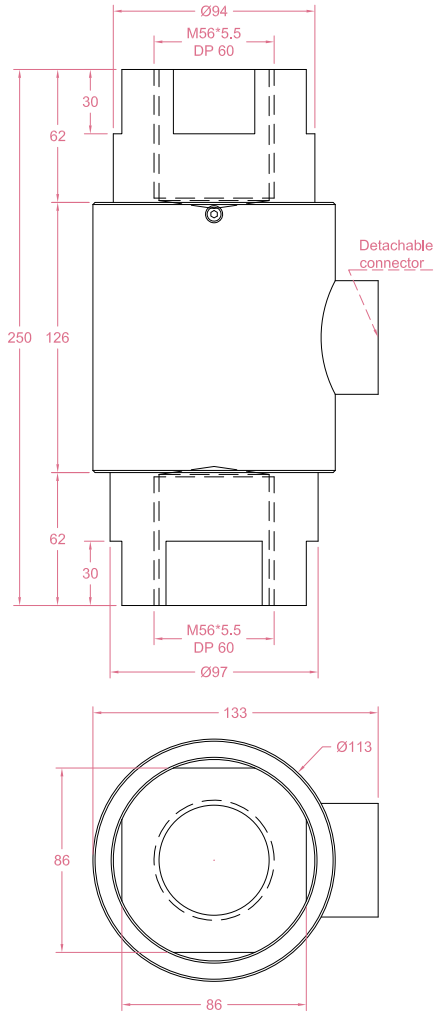




Dimensions in "mm"



Order example:

1 x LCR15 - 300kN - A

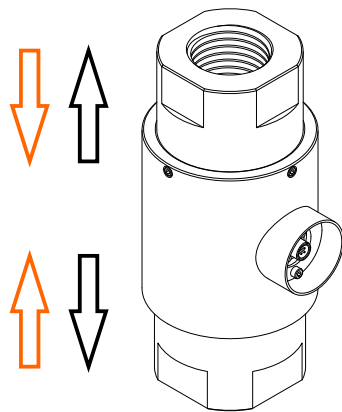
Quantity Model Capacity A: Alloy steel
 S: Stainless steel
 Email to sales@loadcellsensor.com for a quote

Specifications			
Rated Capacity	200/300/500 kN		
Rated Output	2.0 mV/V	Compensated Temp.	0...+40°C
Excitation	3~12V	Operating Temp.	-20...+65°C
Zero Balance	±0.05 mV/V	Temp. Coeff. of Zero	±0.005% F.S./°C
Nonlinearity	±0.25% F.S.	Temp. Coeff. of Span	±0.005% F.S./°C
Hysteresis	±0.25% F.S.	Input Resistance	380±30 Ohms
Nonrepeatability	±0.1% F.S.	Output Resistance	350±5 Ohms
Creep(5min)	±0.1% F.S.	Insulation Resistance	>2000M Ohms(50V)
Safe Load Limit	150% F.S.	IP Rating	IP64
Breaking Load	200% F.S.	Element Material	Alloy steel or Stainless steel
Cable	Ø5.8*5000mm with mating connector		

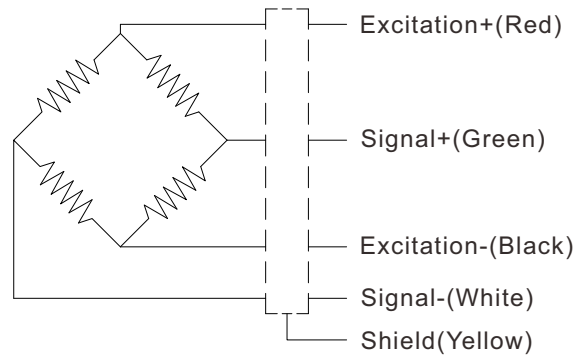
• LCS reserves the right to modify its design and specifications without notice



Load direction



Wiring Code@Tension



Shield is NOT connected to the sensor body

Sensor/Amplifier/Indicator

Items	Power supply	Output/Function
LCR15	3-12V (Constant)	-24mV...+24mV (Depending on the power supply)
LCR15 + Analog amplifier	12~24V DC	0-3.3V,0-5V,0-10V,0-2.5-5V,0-5-10V -3.3-3.3V,-5-5V,-10-10V 0-20mA,4-20mA,4-12-20mA...
LCR15 + Digital amplifier	12~24V DC	RS485 or RS232 output
LCR15 + Indicator	12~24V DC	Display force value Switch output Peak holding RS485/RS232 interface 0-5V/0-10V/4-20mA output

[Email us for datasheet of amplifier and indicator](#)

Customization options

Cable (Length/Specifications/Connectors)
Dimensions and measuring range
Working Temperature (-40°C...+200°C)
IP Rating (Up to IP68)