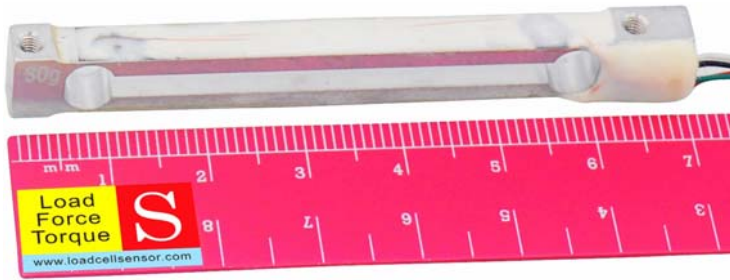
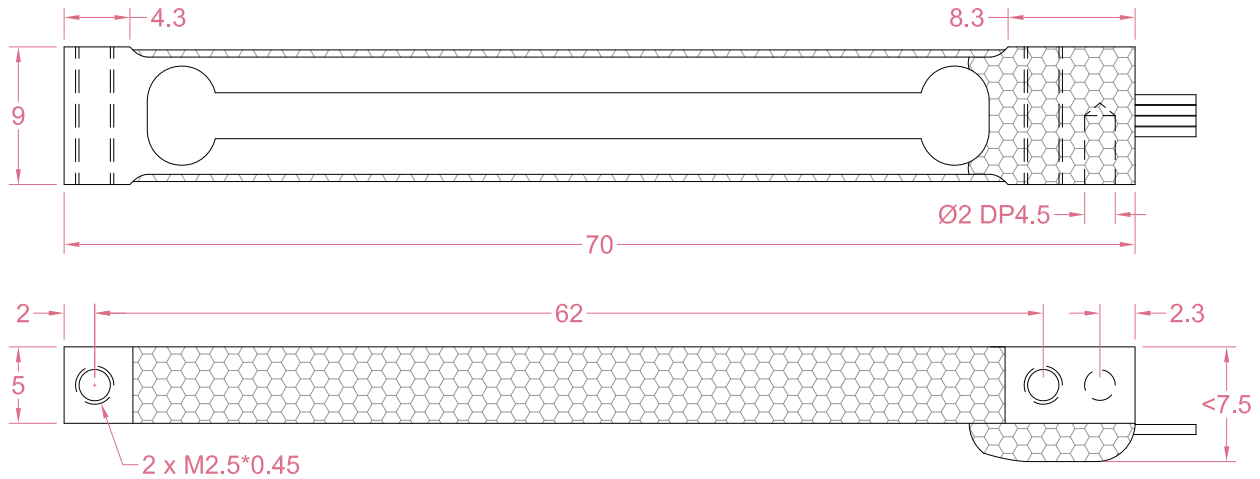




Dimensions in "mm"



Order example:

2 x LCE06 - 30g

Quantity      Model      Capacity

Email to [sales@loadcellsensor.com](mailto:sales@loadcellsensor.com) for a quote

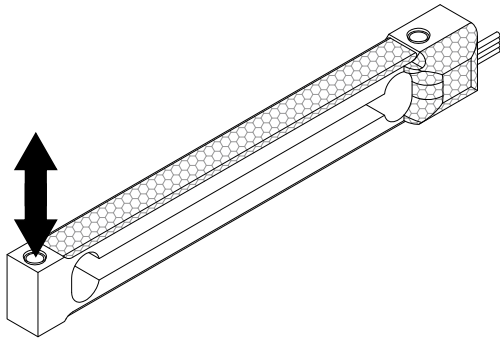
| Specifications   |                |                       |                  |
|------------------|----------------|-----------------------|------------------|
| Rated Capacity   | 30 g           |                       |                  |
| Rated Output     | 0.5±0.15 mV/V  | Compensated Temp.     | 0...+40°C        |
| Excitation       | 3~10V          | Operating Temp.       | -10...+60°C      |
| Zero Balance     | ±0.1 mV/V      | Temp. Coeff. of Zero  | ±0.05% F.S./°C   |
| Nonlinearity     | ±0.05% F.S.    | Temp. Coeff. of Span  | ±0.01% F.S./°C   |
| Hysteresis       | ±0.05% F.S.    | Input Resistance      | 1100±100 Ohms    |
| Nonrepeatability | ±0.05% F.S.    | Output Resistance     | 1100±100 Ohms    |
| Creep(3min)      | ±0.05% F.S.    | Insulation Resistance | >2000M Ohms(50V) |
| Safe Load Limit  | 150% F.S.      | IP Rating             | IP50             |
| Breaking Load    | 180% F.S.      | Element Material      | Aluminum alloy   |
| Cable            | 4 x AWG32*90mm |                       |                  |

• LCS reserves the right to modify its design and specifications without notice

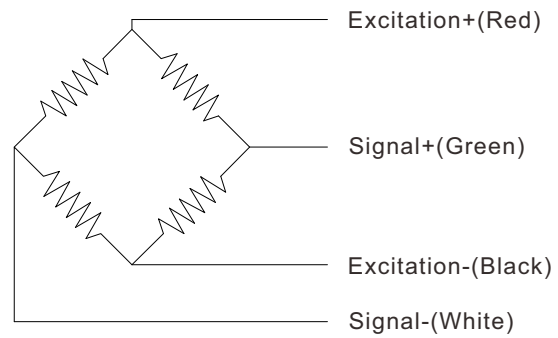
P:1/2



Load direction



Wiring Code



### Sensor/Amplifier/Indicator

| Items   | Power supply        | Output/Function   |
|---|---------------------|---|
| LCE06   | 3-10V<br>(Constant) | -6.5mV...+6.5mV<br>(Depending on the power supply)  |
| LCE06<br>+<br>Analog amplifier                                    | 12~24V DC           | 0-3.3V,0-5V,0-10V,<br>-5-5V,-10-10V,0-5-10V<br>0-20mA,4-20mA,4-12-20mA...                                       |
| LCE06<br>+<br>Digital amplifier                                   | 12~24V DC           | RS485 or RS232 output   |
| LCE06<br>+<br>Indicator   | 12~24V DC           | Display force value<br>Switch/Relay output<br>Peak holding<br>RS485/RS232 interface<br>0-5V/0-10V/4-20mA output |
| <a href="#">Email us for datasheet of amplifier and indicator</a> |                     |   |